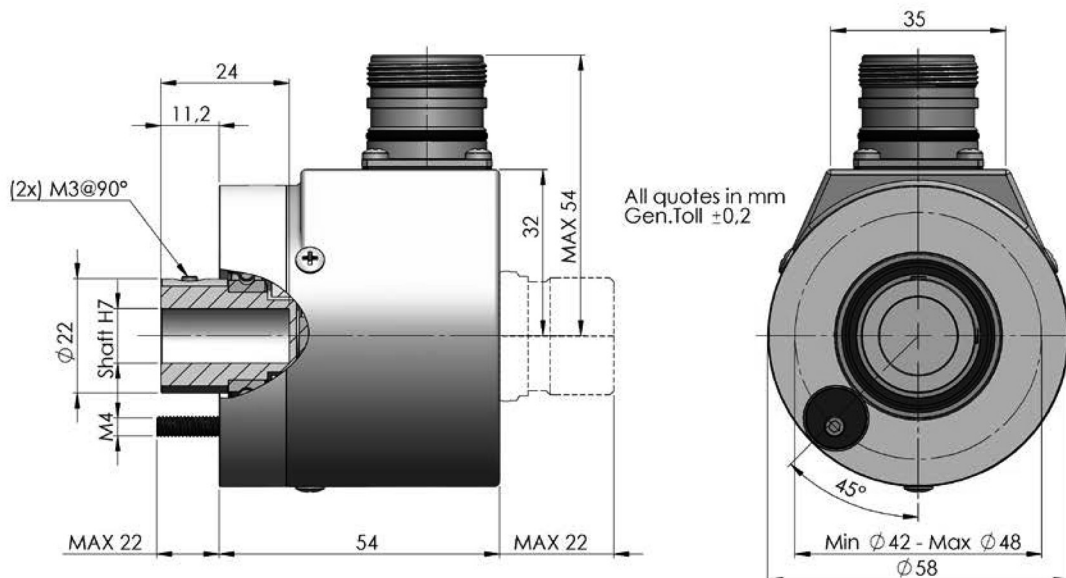


Serie AS Series AS

Absoluter Drehgeber mit Steckwelle, Parallel- oder Analog Schnittstelle, \varnothing 58 mm *Absolute rotary encoder with recessed hollow shaft, parallel or analogue interface, \varnothing 58 mm*

Mechanische Daten / Mechanics Data

Haube / Cover:	Aluminium / Aluminum
Flansch / Body:	Aluminium / Aluminum
Welle / Shaft:	Edelstahl / Stainless steel
Kugellager / Bearings:	doppelt gelagert / ballraces
Gewicht / Weight:	300 g
IP Schutzart / IP Protection:	IP54 (IP65 auf Anfrage / on request max 3000RPM)
Umdrehungen / RPM:	max. 6000
Drehmoment / Torque:	5Ncm
Trägheitsmoment / Inertia:	100gcm ²
Wellenlastung / Shaft Loading:	Axial. 50N - Radial 50N



Elektronische Daten / Electronics Data

Versorgungsspannung / Power supply:	5/24 V, hängt von der Ausgangsschaltung ab / 5/24 V, depends on the electronics circuit
max. Stromaufnahme / Current consumption:	max 100mA
zulässige Belastung / Permissible load:	40mA
Frequenz / Frequency:	50KHz (LSB)
Schutz / Protections:	Kurzschlussfest, Umkehrpolarität / against short circuit, reversal polarity
Betriebstemperatur / Operating temperature:	-20/+70°C

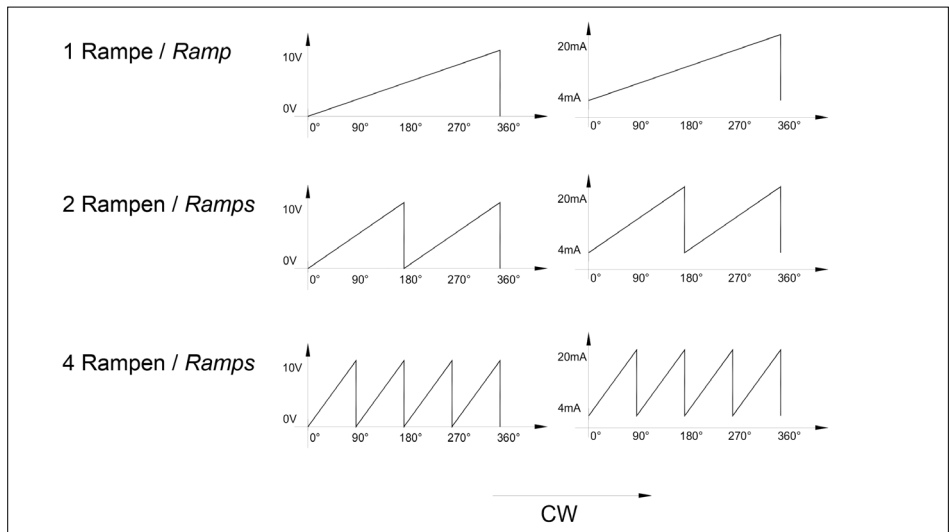
Bestellbezeichnung / Ordering Code

AS	*	*	*	*	/	****
	Welle Shaft	Ausgangsschaltungen Output	Optionen Options	Anschlüsse Connections		Auflösung Resolution
	7 = Ø 7mm 0 = Ø 10mm 2 = Ø 12mm 4 = Ø 14mm 1 = Ø 15mm	Digital Ausgang / Digital output 1 = GRAY NPN 11/24V 2 = GRAY Push-Pull 11/24V 3 = GRAY TTL 5V 4 = BIN. NPN 11/24V 5 = BIN. Push-Pull 11/24V 6 = BIN. TTL 5V 7 = BCD NPN 11/24V 8 = BCD Push-Pull 11/24V 9 = BCD TTL 5V Analog Ausgang / Analogue output C = 4-20mA M = 4-20mA / 0-10V D = 0-10V Versorgungsspannung / Power Supply 24V	A = None B = Open Coll. P = Parity parity D = Parity Odd E = GRAY Excess S = Strobe	Kabel / Cable 3 = Cable Rad 9 = Cable Axi SUB-D 25p R = 9413 Rad N = 9413 Axi M23 12p/16p 5 = 9416/9426 Rad 2 = 9416/9426 Axi (weitere Anschlussarten auf Anfrage / more connectors on request)		max. 8.192 Analog Ausgang / Analogue Output R1 = 1 Ramp/Umdr. 1 ramp/turn R2 = 2 Ramps/Umdr. 2 ramp/turn R4 = 4 Ramps/Umdr. 4 ramp/turn

Analog Ausgang / Analogue output

Versorgungsspannung / Power Supply 24V – Nur Anschlüsse / Only connections 5, 2 (9416)

Anschluss 9416 Connections 9416	
1	-
2	+
3	Iout + (4-20mA)
4	
5	Vout + (0-10V)
6	
7	Ud/Down
8	
9	
10	
11	
12	



Digital Ausgang / Digital output

Anschlüsse

	0 Volt	+ Volt	0 2	1 2	2 2	3 2	4 2	5 2	6 2	7 2	8 2	9 2	10 2	11 2	M	DIR <->		
Stecker 9416 12p	P1	P2	P3	P4	P5	P6	P7	P8	P9	P10	P11					P12		
Stecker 9426 16p	P1	P2	P3	P4	P5	P6	P7	P8	P9	P10	P11	P12	P13	P14	P15	P16		
Stecker 9413 25p	P1	P2	P3	P4	P5	P6	P7	P8	P9	P10	P11	P12	P13	P14	P15	P16		
Kabel	S C H W A R Z	B L A U	B R A U N	B E I G E	G R Ü N	G E L B	R O S S A	V I O L E T T	O R A N G E	T R A N S P A R E N T	W E I S S	W E I S S	W E I S S	W E I S S	W E I S S	G R Ü N	G E L B	W E I S S

Legende Anschlüsse

M = Optionale Ausgänge

DIR <-> = ist die Drehrichtung (im bzw. gegen den Uhrzeigersinn)

Im Uhrzeigersinn ist Standard

Gegen den Uhrzeigersinn DIR <-> to **0 Volt**.

Connections

	0 Volt	+ Volt	0 2	1 2	2 2	3 2	4 2	5 2	6 2	7 2	8 2	9 2	10 2	11 2	M	DIR <->		
Connector 9416 12p	P1	P2	P3	P4	P5	P6	P7	P8	P9	P10	P11					P12		
Connector 9416-16p	P1	P2	P3	P4	P5	P6	P7	P8	P9	P10	P11	P12	P13	P14	P15	P16		
Connector 9413-25p	P1	P2	P3	P4	P5	P6	P7	P8	P9	P10	P11	P12	P13	P14	P15	P16		
Cable	B L A U K	B L A U	B R A U N	B E I G E	G R Ü N	Y E L L O W	P I N K	V I O L E T	O R A N G E	T R A N S P A R E N T	W H I T E	W H I T E	W H I T E	W H I T E	W H I T E	Y E L L O W	G R Ü N	Y E L L O W

Legend connections:

M = optional outputs:

DIR <-> = is the signal direction: clockwise or anticlockwise

Clockwise standard

Anticlockwise connect DIR <-> to **0 Volt**.