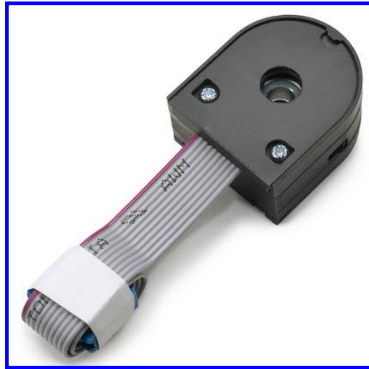


Easy Installation Rotary Encoder 30M series



Feature

- Mini size body : 35mm × 30mm × 20mm
- High resolution : up to 3,600ppr available
- Easy Installation at Modular Encoder
- Environmental : IP40(use with seal)
- Operating Temperature -40~100°C

Application

- Robotics
- Carrier Machine
- Electrical actuator
- Semiconductor Machine
- SMT Machine
- Medical Machine
- Industrial Machine
- Inspection system
- Office Automation
- Motor

Type

30	M	- ***	- 2MD	- ***	- 50	- 00E
Diameter 30mm	Type M:Modular	Resolution 2048 2500 3600	Output type 2M:A,B,Z D: LineDriver	Shaft Diameter 5 : 5mm 635: 6.35mm 8 : 8mm	Cable Length 50: 50cm	Standard RoHS comply

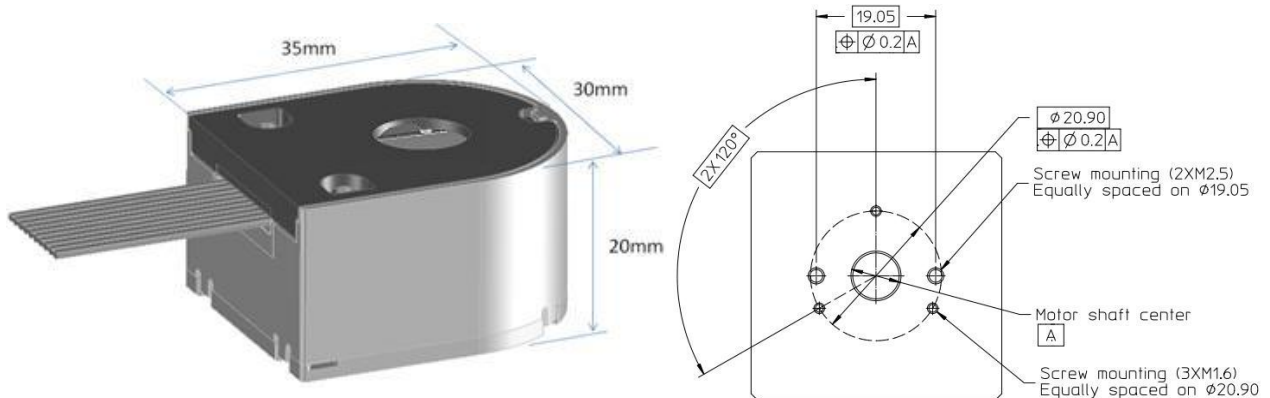
Output spec

Output Type	A, B, Z (index signal) and each reverse signal
Resolution (P/R)	2048, 2500, 3600

Electrical spec

		Line Driver
Supply Voltage		DC4.5~5.5V
Current consumption		T.B.D.
Output Voltage	High	T.B.D.
	Low	T.B.D.
Output current		T.B.D.
Output rise and fall times		200ns or Less
Maximum frequency respons		160kHz (Max)

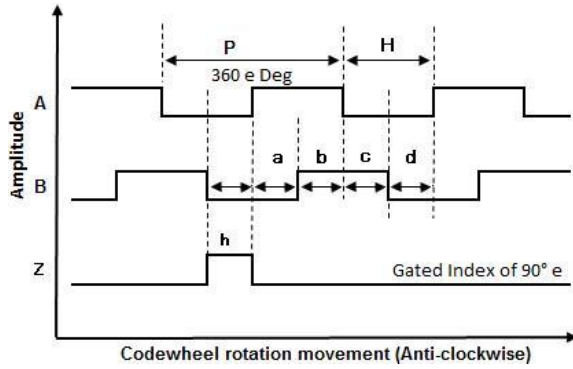
Dimensional Drawing



Cable Length

50cm

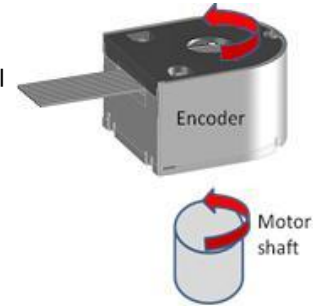
Output type (Line Driver)



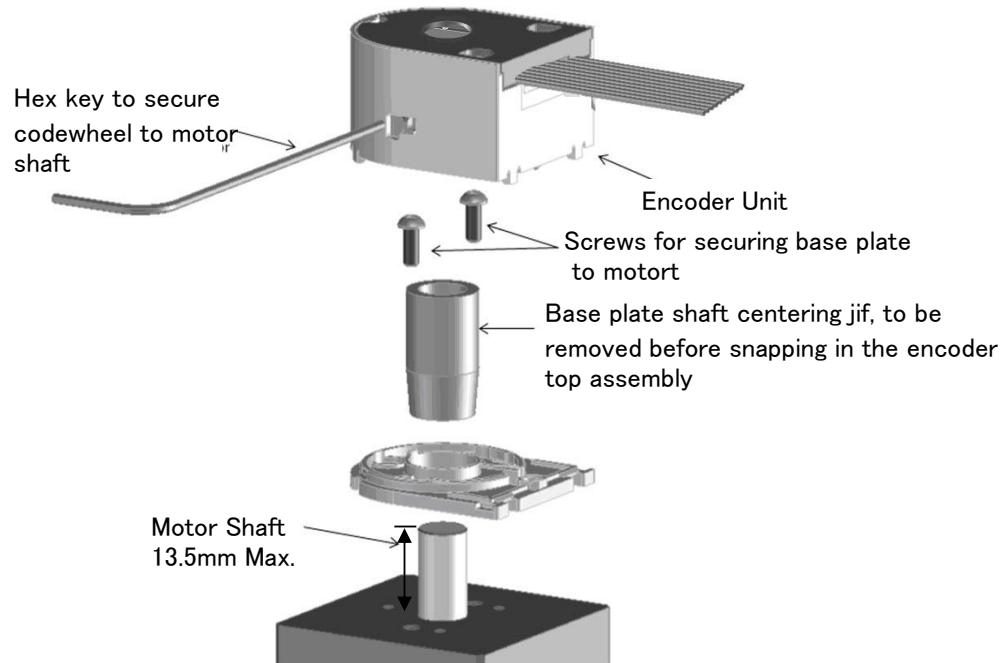
$$a, b, c, d, h = P/4 \pm P/8$$

$$H = P/2 \pm P/4$$

And each reverse signal



Easy Mounting and Installation



Mechanical Spec

Shaft Play	Thrust	$\pm 0.175\text{mm}$
	Radial	0.05mm TIR

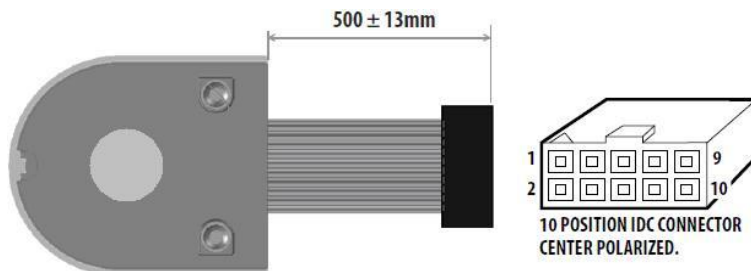
Environmental Spec

Operation Temperature	$-40^{\circ}\text{C} \sim +100^{\circ}\text{C}$
Storage Temperature	$-40^{\circ}\text{C} \sim +100^{\circ}\text{C}$
Vibration	55 ~ 1000Hz/10G

Cable Assign

Line Driver

Pin No.	Connection
1	N.C.
2	Vcc
3	GND
4	N.C.
5	/A sig
6	A sig
7	/B sig
8	B sig
9	/Z sig
10	Z sig



* It may do without the connector

Please notice that the above data may be revised.

Please quote the latest version of specification to your nearest distributor.



Nemicon is a group enterprise of Avago technologies.

Contact of Nemicon is as follows.

URL <http://www.nemicon.co.jp>

E-mail encoder@nemicon.co.jp