

## Series AWI 40

- ▶ Incremental rotary-encoder with a solid shaft diameter of 6 mm
- ▶ housing diameter 40 mm, small design and high degree of protection
- ▶ Maximum 500 pulses / revolution
- ▶ For simple industrial requirements
- ▶ Also available in stainless steel for aggressive Ambient conditions
- ▶ Accessories from page 78

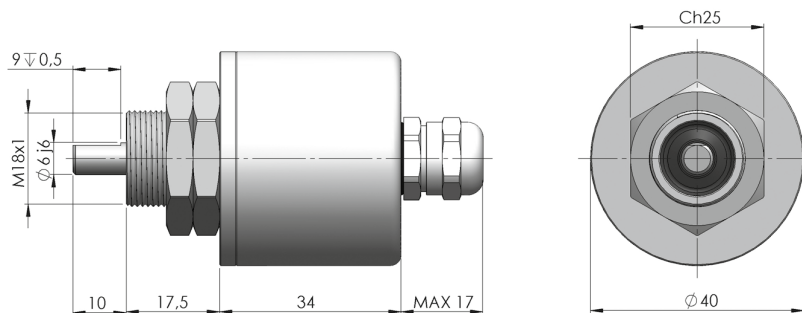
### Electrical specifications

max. pulse frequency:	25 kHz
Perm. temperature range:	-30°... +70°C
Power supply:	10 V ... 30 V DC
Max. current consumption:	80 mA (without load)
Max. output load:	30 mA (per channel)
Residual ripple:	max. $\pm 5\% U_B$
Power supply:	5 V DC $\pm 5\%$
Max. current consumption:	40 mA
Max. output load:	30 mA (per channel)

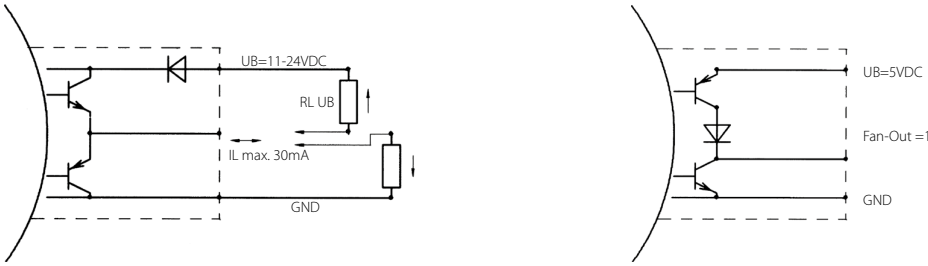
### Mechanical specifications

Flange/Housing:	Aluminium
Shaft:	stainless steel
Shaft seal:	oil/salt-water resistant
Bearing:	Deep groove ball bearing
Weight:	approx 0,3 kg
Protection type:	IP 65
Max. speed:	6.000 U/min
Torque:	approx 3 Ncm
Max. shaft load:	axial 5 N radial 5 N

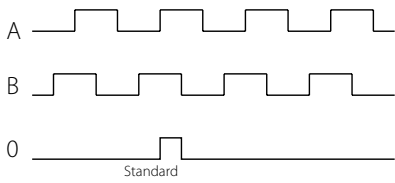
### Mechanical dimensions



### Output circuits



### Signal outputs



Two square pulse trains offset by 90° el,  
with channel A lagging in clockwise rotation.

Reference pulse 0 once per revolution,,  
position and length optional.

C design 0 pulse optional

All channels can also be executed inversely.

### Tolerances (at 25 kHz)

Phase offset:  $90^\circ \pm 20^\circ$  el

Duty cycle:  $180^\circ : 180^\circ \pm 18^\circ$  el

### Pin configuration

	GND	+U <sub>B</sub>	A	B	$\bar{A}$	$\bar{B}$	0	$\bar{0}$
Connection type 00 (Colour code according to DIN 47100)	white	brown	green	yellow			gray	
Connection type 00 (Colour code according to DIN 47100)	white	brown	green	yellow	gray	pink	blue	red
Connection type 01	black	blue	brown	beige			yellow	
Connection type 01	black	blue	brown	beige	yellow	green	pink	purple
Connection type 08, 09	1	2	3	4	(5)		5	
Connection type 10, 11	1	2	3	4	(5)	(6)	5	6

### Order reference

