

## Series HWI 103

- ▶ Incremental rotary-encoder with a hollow shaft diameter of 10-25,4 mm
- ▶ Housing diameter 103 mm, small design and high degree of protection
- ▶ Maximum 5.000 pulses / revolution
- ▶ Direct assembly onto existing shafts
- ▶ Also available in stainless steel for aggressive environmental conditions
- ▶ Accessories from page 78

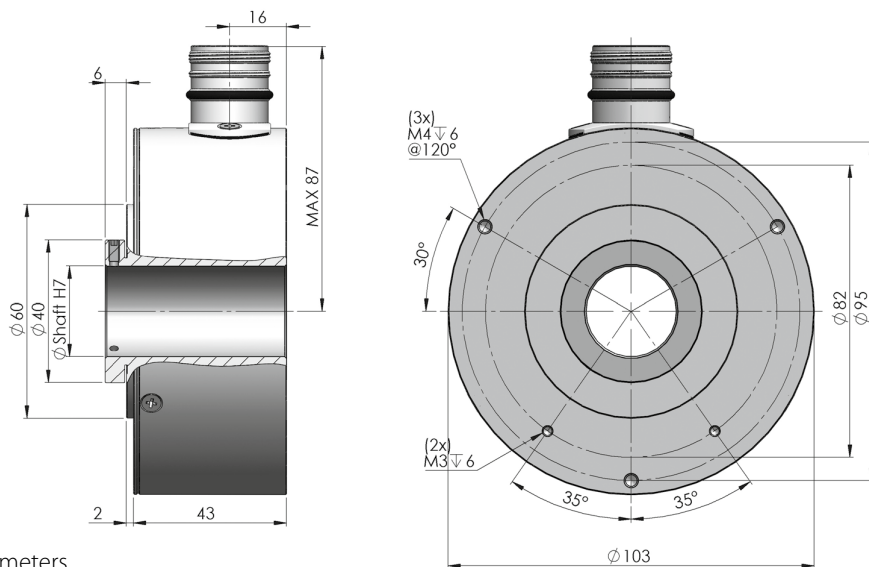
### Electrical specifications

max. pulse frequency:	100 kHz
Perm. temperature range:	-30°... +70° C
Power supply:	10 V... 30 V DC
Max. current consumption:	80 mA (without load)
Max. output load:	30 mA (per channel)
Residual ripple:	max. $\pm 5\% U_B$
Power supply:	5 V DC $\pm 5\%$
Max. current consumption:	80 mA

### Mechanical specifications

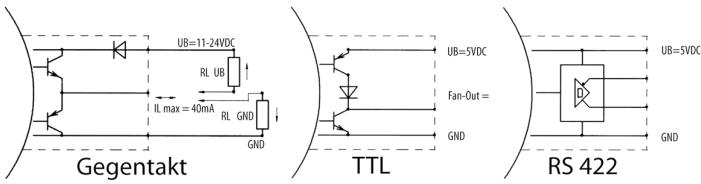
Flange:	Aluminium
Housing:	Aluminium
Hollow shaft:	stainless steel
Shaft seal:	oil/salt-water resistant
Bearing:	Deep groove ball bearing
Weight:	approx 0,8 kg
Protection type:	IP 65
Max. speed:	6.000 U/min
Torque:	approx 15 Ncm at 25° C approx 50 Ncm at 20° C

### Mechanical dimensions



All specification in millimeters

### Output circuits

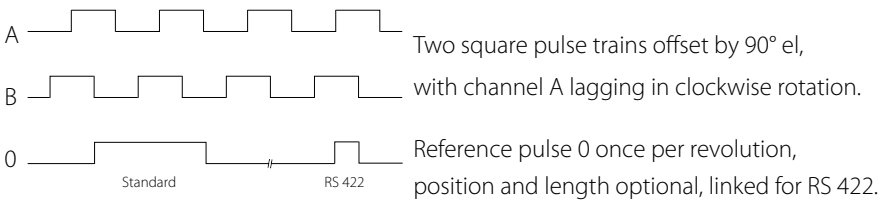


Order ref.: 1

3

6

### Signal outputs



All channels can also be executed inversely.

### Pin configuration

	GND	+ U <sub>b</sub>	A	B	$\bar{A}$	$\bar{B}$	0	$\bar{0}$
Connection type 00 (Colour code according to DIN 47100)	white	brown	green	yellow			gray	
Connection type 00 (Colour code according to DIN 47100)	white	brown	green	yellow	gray	pink	blue	red
Connection type 01	black	blue	brown	beige			yellow	
Connection type 01	black	blue	brown	beige	yellow	green	pink	purple
Connection type 07, 08, 09, 10, 11	1	2	3	4	(5)	(6)	5	6
Connection type 12, 54	1	2	3	4	5	6	7	8

### Order reference

