

Series HWA 103

- ▶ Absolute singleturn rotary-encoder with a hollow shaft diameter of 10-25,4 mm, parallel- or SSI output
- ▶ Housing diameter 103 mm, small design and high degree of protection
- ▶ Maximum resolution 12 Bit
- ▶ Direct assembly onto existing shafts
- ▶ Also available in stainless steel for aggressive environmental conditions
- ▶ Accessories from page 78

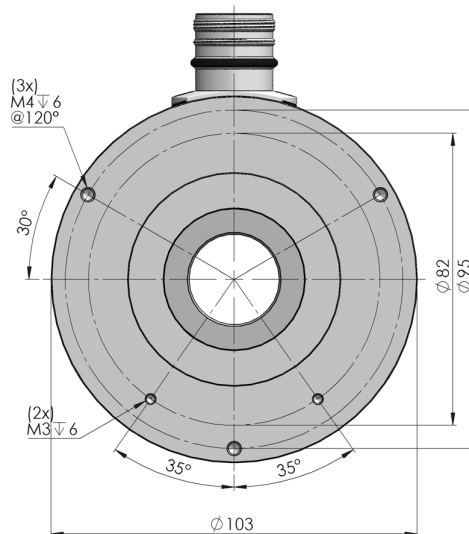
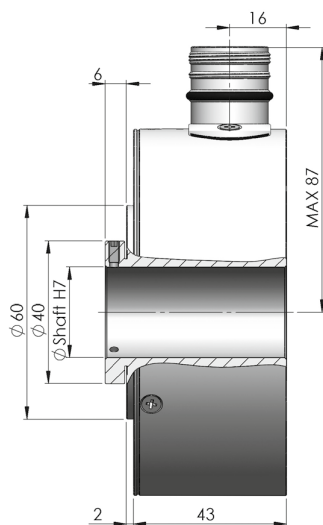
Electrical specifications

max. pulse frequency:	25 kHz
Perm. temperature range:	-30°... +70° C
Power supply:	10 V... 30 V DC
Max. current consumption:	160 mA (without load)
Max. output load:	40 mA (per channel)
Residual ripple:	max. $\pm 5\% U_B$

Mechanical specifications

Flange:	Aluminium
Housing:	Aluminium
Hollow shaft:	stainless steel
Shaft seal:	oil/salt-water resistant
Bearing:	Deep groove ball bearing
Weight:	approx 0,8 kg
Protection type:	IP 65
Max. speed:	6.000 U/min
Torque:	approx 15 Ncm

Mechanical dimensions



* Tolerance = H 7
All specification in millimeters

