



Features

- Ideal one-body metallic spring flexible couplings.
- Zero backlash.
- Complete absorption of eccentricity angularity, and end-play by spring action.
- High torsional stiffness and response.
- Identical clockwise and anticlockwise rotational characteristics.
- Maintenance-free, oil and chemical resistant.
- Clamp type.
- MFB-C Body : Extra Super Duralumin.

特性

- 完美單一本體，撓性聯軸器。
- 零作用力。
- 藉由彈性作用，完美吸收軸偏移、角偏差、軸端部位插。
- 高扭力，高負荷
- 可正逆轉特性。
- 免保養、抗油、抗化學性。
- 夾鉗式固定。
- MFB-C 本體：鋁合金材質。

Specifications

unit:mm

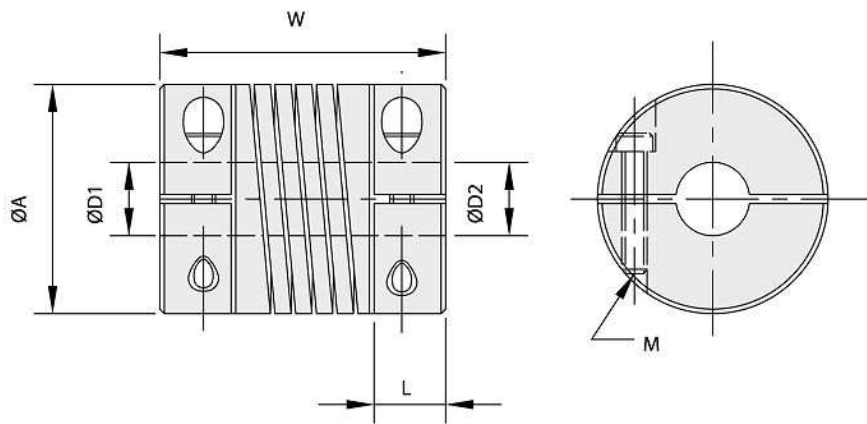
Product No 產品編號	Rated Torque 常用扭矩 (N.m)	Max. Torque 最大扭矩 (N.m)	Max. Rotational Frequency. 最高迴轉數 (min ⁻¹)	Moment* Of Inertia 慣性 (kg.m ²)	Error of Eeccentricity 容許偏心量 (mm)	Error of Angularity 容許角偏差 (°)	Error of Shaft End-play 容許軸向位差 (mm)	Mass** 質量 (g)
MFB-16C	0.32	0.64	9500	3.67×10 ⁻⁷	0.10	3°	±0.4	9.5
MFB-20C	0.51	1.02	7600	8.9×10 ⁻⁷	0.10	3°	±0.4	17.3
MFB-25C	1.3	2.6	6100	2.5×10 ⁻⁶	0.15	3°	±0.5	33.0

*Max. Bore Moment of Inertia/最大孔徑時慣性矩

**Max. Bore Mass/最大孔徑時質量

Clamp type

● MFB-C



Dimension

unit:mm

Product No 產品編號	A	L	W	Stock Bores 標準孔徑 D1×D2(公差 H8)		M
				Min D1	Max D2	
MFB-16C	16	6	23	5	6	M2.5
MFB-20C	20	6.5	26	5	8	M2.5
MFB-25C	25	7.5	31	6	10	M3

When Ordering

When placing an order, make sure to include product no.

And stock bores(both sides) of product.

MFB-25C - Ø6 X Ø8

Product No D1 D2