

# MFS

Flexible couplings

# MFSS



## Features

- Ideal one-body metallic spring flexible couplings.
- Zero backlash.
- Complete absorption of eccentricity angularity, and end-play by spring action.
- High torsional stiffness and response.
- Identical clockwise and anticlockwise rotational characteristics.
- Maintenance-free, oil and chemical resistant.
- Setscrew type.
- MFS Body : Extra Super Duralumin.
- MFSS Body : Stainless steel.

## 特性

- 完美單一本體，撓性聯軸器。
- 零作用力。
- 藉由彈性作用，完美吸收軸偏移、角偏差、軸端部位插。
- 高扭力，高負荷
- 可正逆轉特性。
- 免保養、抗油、抗化學性。
- 止付螺絲式固定
- MFS 本體：鋁合金材質。
- MFSS 本體：不銹鋼材質。

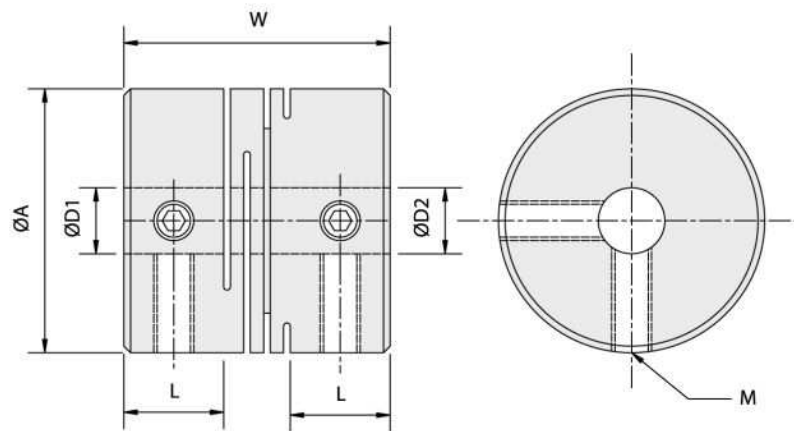
## Specifications

unit:mm

Product No 產品編號	Rated Torque 常用扭矩 (N.m)	Max. Torque 最大扭矩 (N.m)	Max. Rotational Frequency 最高迴轉數 (min <sup>-1</sup> )	Moment* Of Inertia 慣性 (kg.m <sup>2</sup> )	Error of Angularity 容許角偏差 (°)	Error of Shaft End-play 容許軸向位差 (mm)	Mass** 質量 (g)
MFS-16	0.3	0.6	24000	2.7×10 <sup>-7</sup>	1°	±0.2	7.4
MFS-20	0.5	1.0	19000	7.6×10 <sup>-7</sup>	1°	±0.2	12.0
MFS-25	1.1	2.2	15000	2.2×10 <sup>-6</sup>	1°	±0.2	24.0
MFS-32	2.0	4.0	12000	8.0×10 <sup>-6</sup>	1°	±0.2	50.0
MFS-40	5.0	10.0	9600	2.8×10 <sup>-5</sup>	1°	±0.3	98.0
MFSS-16	0.5	1.0	24000	8.6×10 <sup>-7</sup>	1°	±0.1	18.0
MFSS-20	1.0	2.0	19000	2.4×10 <sup>-6</sup>	1°	±0.1	32.0
MFSS-25	2.1	4.2	15000	7.2×10 <sup>-6</sup>	1°	±0.2	63.0
MFSS-32	3.5	7.0	12000	2.6×10 <sup>-5</sup>	1°	±0.2	130.0

\*Max. Bore Moment of Inertia/最大孔徑時慣性矩

\*\*Max. Bore Mass/最大孔徑時質量



## Dimension

unit:mm

Product No 產品編號	A	L	W	Stock Bores 標準孔徑 D1×D2(公差 H8)		M
				Min D1	Max D2	
MFS-16	16	6.8	18	4	8	M3
MFS-20	20	7.6	20	5	10	M3
MFS-25	25	9.5	25	5	12	M4
MFS-32	32	12.6	32	6	14	M4
MFS-40	40	15.8	40	8	18	M5
MFSS-16	16	6.8	18	4	8	M3
MFSS-20	20	7.6	20	5	10	M3
MFSS-25	25	9.5	25	5	12	M4
MFSS-32	32	12.6	32	6	14	M4

## When Ordering

When placing an order, make sure to include product no.  
And stock bores(both sides) of product.

## MFS-20 - Ø5 X Ø6

Product No    D1    D2