

MANUAL TYPE

OSM_{Model}

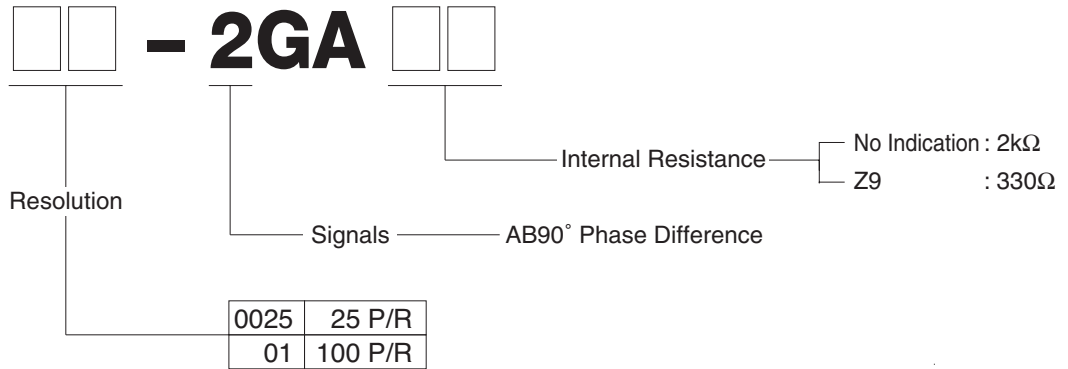


Manual Pulse Generator

- Best Seller of The Kind.
- Click Mechanism.

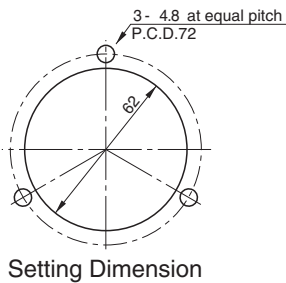
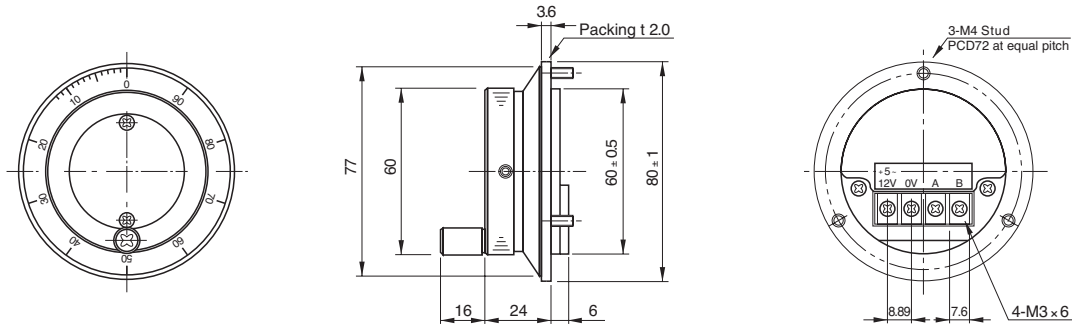
Model

OSM - - 2GA

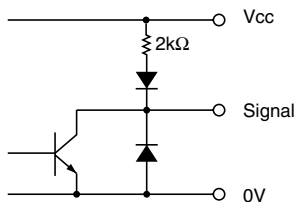


Output Mode — Voltage Output

External Dimension



Circuit of Output Signal



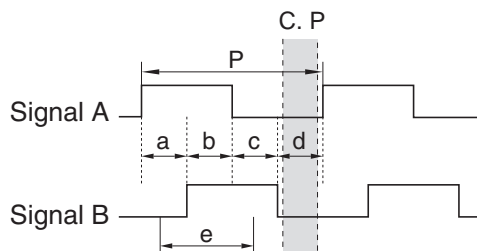
Electrical Spec.

Manual Pulse Generator

TYPE		No Indication	Z9
Supply Voltage		DC 4.5 ~ 13.2 V	DC4.5 ~ 5.5 V
Requirement		50 mA Max	70 mA Max
Output Voltage	"H"	Within - 1 power volt	
	"L" ※1	0.5 V Max	
Maximum Output Current		20 mA MAX	
Rise & Fall Time		1 μs Max	
Maximum Frequency Response ²		5 kHz	

※1) at Maximum Output Current ※2) Where There is No Click Mechanism

Wave Form.



$$P = \frac{1}{1 \text{ Resolution}}$$

$$a, b, c, d = \frac{P}{4} \pm \frac{P}{8}$$

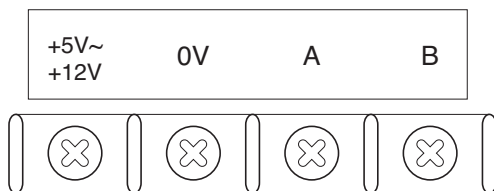
Wave Ratio (Duty); 50 ± 25 (%)

C. P = Click Point

For mode 25P/R click point is at each position of a,b,c,d.

Point "e" is recommended as the system switching point.

Electrical Connections



Mechanical Spec.

Starting Torque	1.96×10 ⁻² N·m~5.88×10 ⁻² N·m	
Shaft Loading ¹	Thrust axial	9.8N
	Radial	19.6N
Moment of Inertia	600r/min(Maximum) 200r/min(Continuous)	
Rotational Life	1 Mln.rev.min.(200r/mim)	
Net Weight	200g Max	

Environmental Spec.

Operating Temperature	- 10°C ~ +60°C
Storage Temperature	- 30°C ~ +80°C
Humidity	RH 85% Max No Condensation
Vibration	10 ~ 55 Hz / 1.5mm 2 h
Shock	490m/s ² ,11ms X, Y, Z Each 3 times
Degree of Protection	