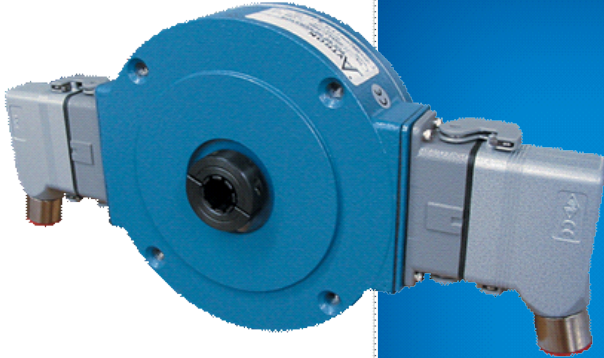


Avtron M3-(3-5, A-F) Small Bore Encoders



M3 small bore hollow shaft encoders, replaced by HS45

**Obsolete, Replaced by
HS45**

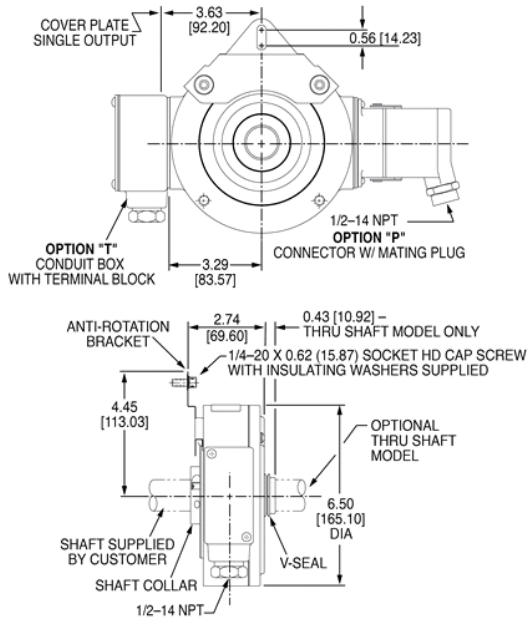
- | No Longer Available-See HS45
- | See documents tab for HS45 upgrade details and benefits

M3(SMALL)

Avtron M3 small bore hollow shaft encoders were replaced by the upgraded [HS45](#) model. Looking for solid shaft M3-1 and M3-2 models? They were replaced by the severe duty [AV485](#) upgrade encoder. Use our [cross reference page](#).

Also available: Large bore M3 and M4 encoders for applications 1 1/2"- 2 3/8" [48-60mm], and heavy mill duty HS45 and severe duty AV685 encoders.

OUTLINE DRAWING



MORE M3(SMALL) ADVANTAGES

- ▮ No longer available-see HS45
- ▮ Auxiliary channel offers separate low frequency outputs (1/4) at no extra charge on each output
- ▮ Marker Pulse Standard
- ▮ Electrically isolated shafts available
- ▮ Optional stub shaft kits for GE motors, 180-6000 Frame
- ▮ Available C-Face tether kits (4.5" to 16")
- ▮ Available threaded rod torque arm
- ▮ Optional OSHA finger guard

M3(SMALL) SPECIFICATIONS

Operating Power: 5-24 VDC; Current 120mA, no load

Output Format: A,A-, B,B-, C,C-; Marker Z,Z-

Frequency Range: 0 to 150 KHz

PPR: 240-2500

Speed:

- ▮ 5000 RPM Max. Std., shafts 5/8" to 1 5/8"
- ▮ 3600 RPM Max. Std., shafts 2" to 2 3/8"

(for higher speeds, consult factory)

Temperature: -40°* to 85°C (*-20° standard)

Chemical: Polyurethane enamel paint protects against salt spray, mild acids, and bases

Weight: 7 lbs.

Check out our website for more detailed specifications, drawings, and installation instructions. www.avtronencoders.com

All dimensions are in inches [millimeters].

Specifications and features are subject to change without notice.

* See instruction sheet for full list.

SELECTION GUIDE

M3 PART NUMBERS AND AVAILABLE OPTIONS

Model	Bore Size	Mounting Style	Line Driver	Output Location	PPR	Connector	Modifications
M3-	0- Non-Standard 3- 5/8" B- 12mm A- 3/4" C- 16mm 4- 1" F- 25mm 5- 1 1/8"	S- End of Shaft T- Thru Shaft G- End of Shaft with Grounding	1- 5 to 24 VDC 2- 5 to 18 VDC 3- 18 to 24 VDC 4- 5 to 24 V in, 5 V out	L- Single output left side R- Single output right side D- Dual output	240 600 256 1024 360 1200 480 2048 500 2500 512		000- None 003- Torque Arm Mount 005- -40° C Rating 008- 4.5" C-Face Mount 009- Northstar Pinout 015- Stainless Steel Shaft 016- 8.5" C-Face Mount 023- Dynapar Pinout (M6) 026- 12.5" C-Face Mount 035- Insulated Shaft
Connector							
10 Pin Connector			6 Pin MS		5 Pin MS		Conduit Box
A- without Plug*	K- with Flex. Conduit Adapter*	S- Baldor Twist Lock on 3 ft. Pigtail	P- with Plug V- without Plug	M940 replacement D- with Plug*	M737A replacement E- without Plug* F- with Plug* M727A replacement H- without Plug* J- with Plug*	N- with color coded leads T- with Terminal Block	W- Sealed, Pigtail X- Sealed, Industrial Connector without Plug Z- Sealed, Industrial Connector with Plug

* side exit ▫ bottom exit



Nidec-Avtron Makes the Most Reliable Encoders in the World

8901 E. PLEASANT VALLEY ROAD • INDEPENDENCE, OHIO 44131-5508

TELEPHONE: (1) 216-642-1230 • FAX: (1) 216-642-6037

E-MAIL: tachs@nidec-avtron.com • WEB: www.avtronencoders.com

All dimensions are in inches [millimeters].
Specifications and features are subject to change without notice.
EU-SMART™, SMARTSafe™, SMARTach II™, THIN-LINE™,
THIN-LINE II™, WIDE-GAP™, and BULLSEYE32™ are trademarks
of Nidec Avtron Automation. All other trademarks and registered
trademarks are the property of their respective owners.