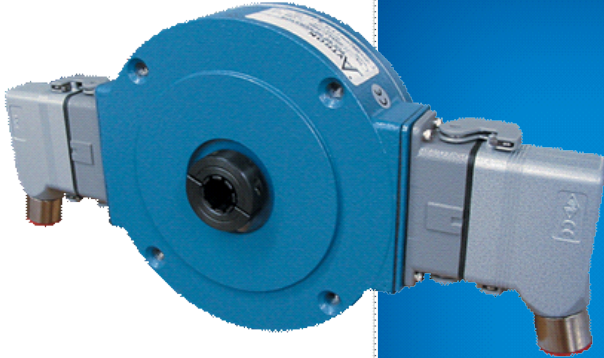


Avtron M4-(3-5, A-F) Small Bore Encoders



Magnetic Hollow Shaft Mount
Encoder Replaced by HS45
Upgraded Model

Obsolete, Replaced by HS45

- 1 No Longer Available-Replaced by HS45
- 1 See documents tab for HS45 upgrade benefits

M4(SMALL)

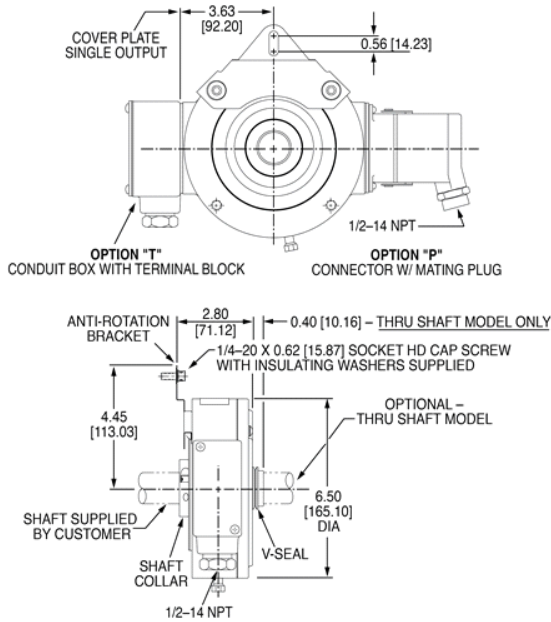
Avtron M4 hollow shaft encoder, 5/8" to 1 1/8" [16-25mm] has been replaced with the [HS45](#) upgraded model, which offers larger bearings and potted construction for increased durability, as well as LED and remote diagnostics. HS45 replaces these models with no rewiring and no mechanical changes.

Looking for M4-1 or M4-2 solid shaft models? These were replaced by the upgraded [AV485](#) encoder, offering severe duty construction with larger bearings and potted electronics as well.

Looking for M4 large-bore models > 1 1/8"/48mm shaft size? They are a current model, click here for the [M4-Large-Bore encoder](#).

Check out our [cross reference](#) page for updated models.

OUTLINE DRAWING



MORE M4(SMALL) ADVANTAGES

- ▮ No longer available-replaced by HS45
- ▮ Replaces Lakeshore HS85 and HS56
- ▮ Optional stub shaft kits for GE motors, 180-6000 Frame
- ▮ Available C-Face tether kits (4.5" to 16")
- ▮ Available threaded rod torque arm
- ▮ Optional OSHA finger guard
- ▮ Highly resistant to electrical and magnetic motor and brake noise
- ▮ Second isolated output may be different PPR

M4(SMALL) SPECIFICATIONS

Operating Power: 5-24 VDC; Current 120mA, no load

Output Format: A,A-, B,B-; Optional Marker Z,Z-

Frequency Range: 0 to 100 KHz

PPR: 240-1200

Speed:

- ▮ 5000 RPM Max. Std., shafts 5/8" to 1 5/8"
- ▮ 3600 RPM Max. Std., shafts 2" to 2 3/8"

(for higher speeds, consult factory)

Temperature: -40°* to 85°C (*-20° standard)

Chemical: Polyurethane enamel paint protects against salt spray, mild acids, and bases

Weight: 7 lbs.

Check out our website for more detailed specifications, drawings, and installation instructions. www.avtronencoders.com

All dimensions are in inches [millimeters].

Specifications and features are subject to change without notice.

SELECTION GUIDE

Model	Bore Size	Mounting Style	Line Driver	Left & Right Output Range	Base PPR	Marker	Connector Options	Special Features
M4	8- 1 1/2" 9- 1 5/8" 6- 2" J- 2 1/8" 7- 2 3/8" G- 48mm D- 52mm E- 58mm H- 60mm	S- End-of-Shaft G- End-of-Shaft with Grounding T- Thru-Shaft	1- 5-24V 4- 5-24V in, 5V out 8- 5-24V in, 5-24V out hi power	X- none L- Low Range (Base PPR x 1/2) M- Medium Range (Base PPR x 1) H- High Range (Base PPR x 2)	48-480 51-512 60-600	Z- Marker - none		000- none 003- Torque arm (B27239) 005- -40° C rated 038- Fan cover tether (see instruction manual for full list.)

Connector						
10 Pin Connector			5 Pin MS Connector		Conduit Box	3 ft. Flex. Cable
MS		MS mini	EPIC	M737A replacement	N- with color coded leads T- with Terminal Block	W- Sealed, Pigtail X- Sealed, Industrial Connector without Plug Z- Sealed, Industrial Connector with Plug
A- without Plug ^a B- with Flex. Conduit Adapter ^a C- with Plug ^a	K- with Flex. Conduit Adapter ^b L- with Plug ^b M- without Plug ^b	R- Baldor Twist Lock without Plug S- Baldor on 3 ft. Pigtail	P- with Plug V- without Plug	E- without Plug ^a F- with Plug ^a M727A replacement H- without Plug ^a J- with Plug ^a		
^a side exit ^b bottom exit						



Nidec-Avtron Makes the Most Reliable Encoders in the World
 8901 E. PLEASANT VALLEY ROAD • INDEPENDENCE, OHIO 44131-5508
TELEPHONE: (1) 216-642-1230 • **FAX:** (1) 216-642-6037
E-MAIL: tachs@nidec-avtron.com • **WEB:** www.avtronencoders.com

All dimensions are in inches [millimeters]. Specifications and features are subject to change without notice. EU-SMART™, SMARTSafe™, SMARTach II™, THIN-LINE™, THIN-LINE II™, WIDE-GAP™, and BULLSEYE32™ are trademarks of Nidec Avtron Automation. All other trademarks and registered trademarks are the property of their respective owners.